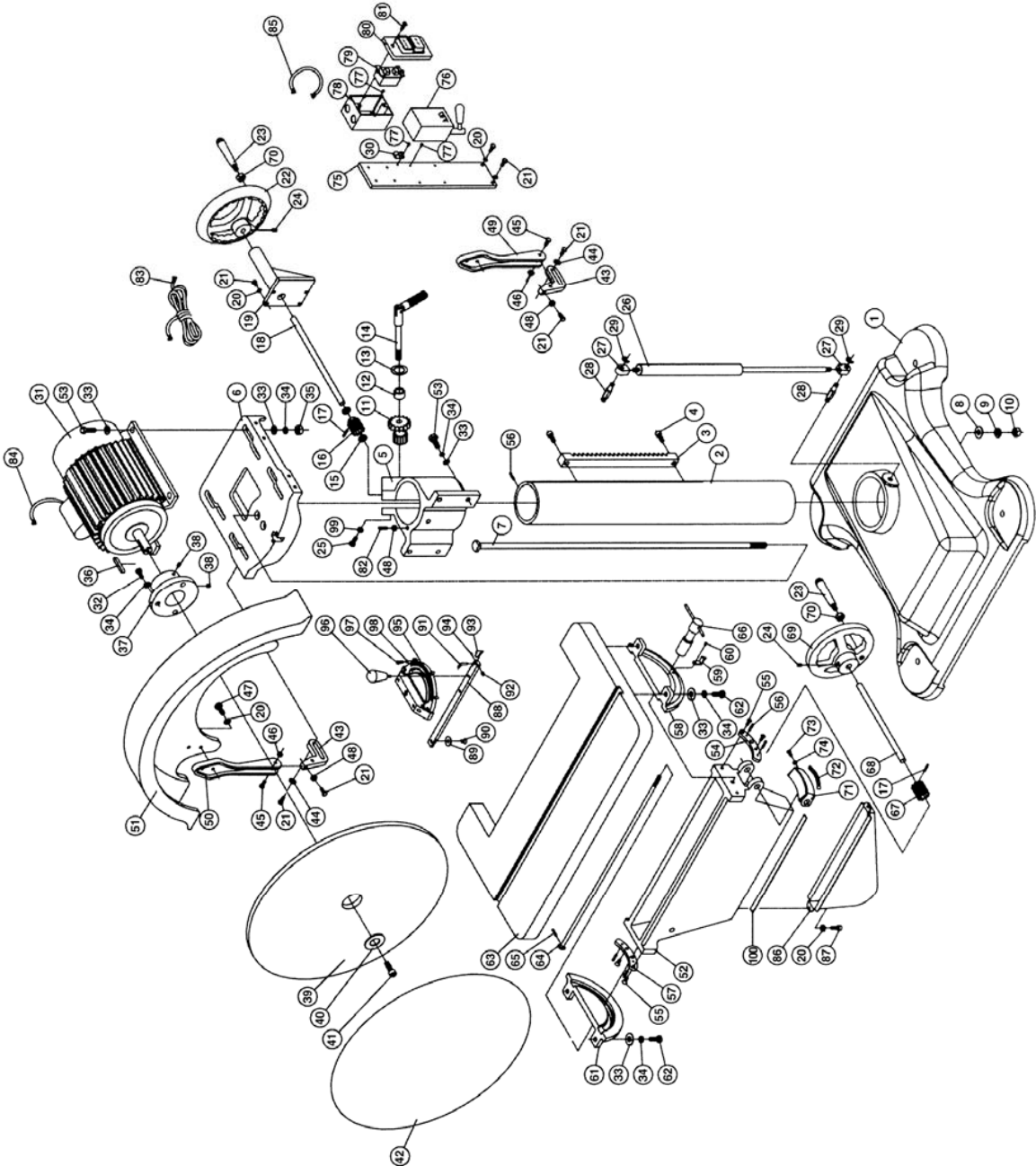


Parts List: DS20 Disc Sander

| Index No. | Part No. | Description | Size | Qty |
|-----------|--------------|-------------------------------------|-------------------------|-----|
| 1..... | 6295560..... | Base..... | | 1 |
| 2..... | 6295561..... | Column..... | | 1 |
| 3..... | 6295562..... | Rack..... | | 1 |
| 4..... | 6295563..... | Socket Head Cap Screw..... | 5/16"-18 x 1/2" | 2 |
| 5..... | 6295564..... | Column Support..... | | 1 |
| 6..... | 6295565..... | Motor Base..... | | 1 |
| 7..... | 6295566..... | Stud..... | | 1 |
| 8..... | 6295567..... | Flat Washer..... | 1/2" | 1 |
| 9..... | 6295568..... | Spring Washer..... | 1/2" | 1 |
| 10..... | 6295569..... | Hex Nut..... | 1/2" | 1 |
| 11..... | 6295570..... | Worm Gear..... | | 1 |
| 12..... | 6295571..... | Bushing..... | | 1 |
| 13..... | 6295572..... | Flat Washer..... | | 1 |
| 14..... | 6295573..... | Lock Handle Assembly..... | | 1 |
| 15..... | 6295574..... | Bushing..... | | 1 |
| 16..... | 6295575..... | Table Lifting Worm..... | | 1 |
| 17..... | 6295576..... | Roll Pin..... | 3 x 20mm..... | 2 |
| 18..... | 6295577..... | Shaft..... | | 1 |
| 19..... | 6295578..... | Shaft Support Bracket..... | | 1 |
| 20..... | 6295579..... | Spring Washer..... | 1/4"..... | 10 |
| 21..... | 6295580..... | Hex Head Screw..... | 1/4"-20 x 1"..... | 10 |
| 22..... | 6295581..... | Handwheel..... | | 1 |
| 23..... | 6295582..... | Handle..... | | 2 |
| 24..... | 6295583..... | Set Screw..... | 5/16"-18 x 3/8"..... | 4 |
| 25..... | 6295584..... | Hex Head Screw..... | 5/16"-18 x 1-3/4"..... | 2 |
| 26..... | 6295585..... | Hydraulic Cylinder..... | | 1 |
| 27..... | 6295586..... | Cylinder Head..... | | 2 |
| 28..... | 6295587..... | Cylinder Fitting..... | | 2 |
| 29..... | 6295588..... | E-Ring..... | | 2 |
| 30..... | 6295589..... | Wire Protector..... | | 1 |
| 31..... | 6295590..... | Motor..... | 2HP, 1Ph, 230V..... | 1 |
| | 6295591..... | Motor..... | 3HP, 3Ph, 230/460V..... | 1 |
| | DS20-SC..... | Start Capacitor (not shown)..... | 500MFD, 250VAC..... | 1 |
| | DS20-RC..... | Run Capacitor (not shown)..... | 40uf, 250VAC..... | 1 |
| 32..... | 6295592..... | Hex Head Screw..... | 3/8"-16 x 1-1/2"..... | 3 |
| 33..... | 6295593..... | Flat Washer..... | 3/8"..... | 16 |
| 34..... | 6295594..... | Spring Washer..... | 3/8"..... | 15 |
| 35..... | 6295595..... | Hex Nut..... | 3/8"..... | 4 |
| 36..... | 6295596..... | Key..... | 5 x 5 x20mm..... | 1 |
| 37..... | 6295597..... | Hub..... | | 1 |
| 38..... | 6295598..... | Set Screw..... | 3/8"-16 x 3/8"..... | 2 |
| 39..... | 6295602..... | Disc..... | | 1 |
| 40..... | 6295600..... | Disc Insert..... | | 1 |
| 41..... | 6295601..... | Cap Screw..... | 5/16"-18 x 1"..... | 1 |
| 42..... | | Abrasive Disc (local purchase)..... | 20"Dia., 100 Grit..... | 1 |
| 43..... | 6295603..... | Disc Guard Bracket..... | | 2 |
| 44..... | 6295604..... | Flat Washer..... | 1/4"..... | 2 |
| 45..... | 6295605..... | Hex Head Screw..... | 1/4"-20 x 1-1/4"..... | 2 |
| 46..... | 6295606..... | Lock Nut..... | 1/4"..... | 2 |
| 47..... | 6295607..... | Hex Head Screw..... | 1/4"-20 x 5/8"..... | 2 |
| 48..... | 6295608..... | Hex Nut..... | 1/4"..... | 3 |
| 49..... | 6295609..... | Disc Guard Arm (R)..... | | 1 |
| 50..... | 6295610..... | Disc Guard Arm (L)..... | | 1 |
| 51..... | 6295611..... | Disc Guard..... | | 1 |
| 52..... | 6295612..... | Solid Segment..... | | 1 |
| 53..... | 6295613..... | Hex Head Screw..... | 3/8"-16 x 1-3/4"..... | 8 |
| 54..... | 6295614..... | Pilot, Right..... | | 1 |

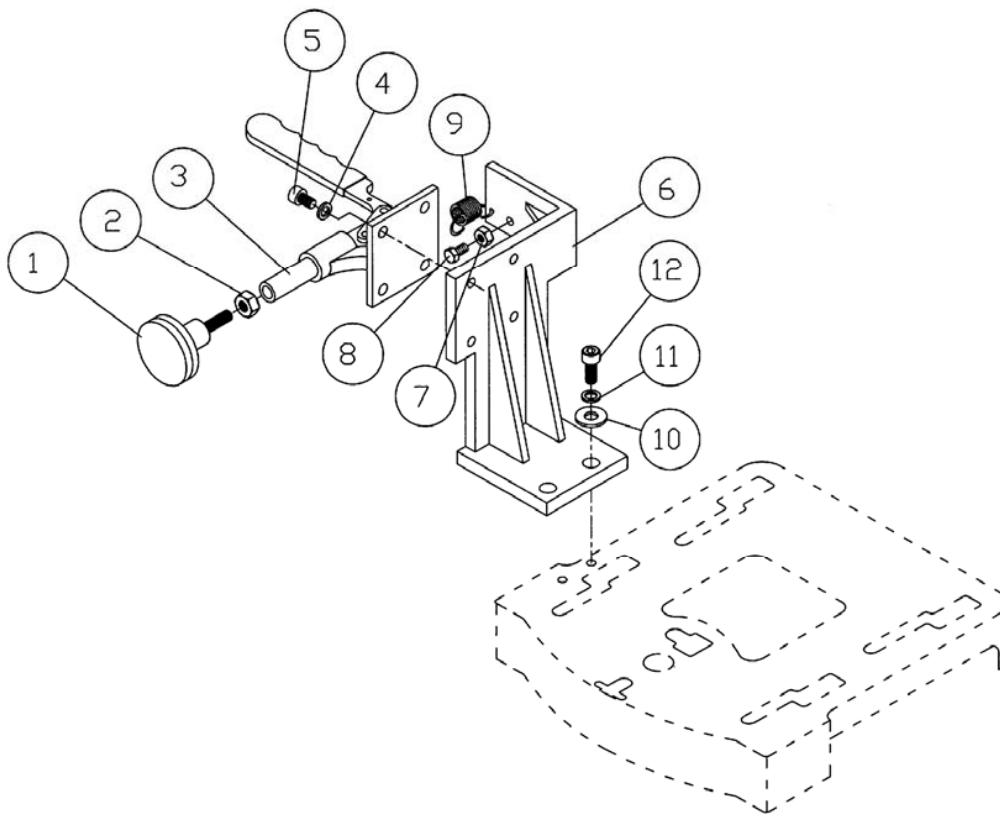
| Index No. | Part No. | Description | Size | Qty |
|-----------|----------|---|-----------------|-----|
| 55 | 6295615 | Phillip Head Screw | 1/4"-20 x 1/2" | 4 |
| 56 | 6295616 | Spring Pin | 5 x 20mm | 5 |
| 57 | 6295617 | Pilot, Left | | 1 |
| 58 | 6295618 | Gear Segment | | 1 |
| 59 | 6295619 | Pointer | | 1 |
| 60 | 6295620 | Round Head Screw | | 1 |
| 61 | 6295621 | Trunnion | | 1 |
| 62 | 6295622 | Hex Head Screw | 3/8"-16 x 1" | 4 |
| 63 | 6295623 | Table | | 1 |
| 64 | 6295624 | Bolt | | 1 |
| 65 | 6295625 | Roll Pin | 3 x 16mm | 1 |
| 66 | 6295626 | Table Lock Handle | | 1 |
| 67 | 6295627 | Table Tilting Worm | | 1 |
| 68 | 6295628 | Shaft | | 1 |
| 69 | 6295629 | Handwheel | | 1 |
| 70 | 6295630 | Hex Nut | 3/8" | 2 |
| 71 | 6295631 | Gear Housing | | 1 |
| 72 | 6295632 | Scale | | 1 |
| 73 | 6295633 | Hex Head Screw | 3/16"-24 x 3/4" | 2 |
| 74 | 6295634 | Hex Nut | 3/16" | 2 |
| 75 | 6295635 | Switch Plate | | 1 |
| 76 | 6295636 | Switch, Fwd/Rev (3 Phase only) | | 1 |
| 77 | 6295637 | Round Head Screw | 3/16"-24 x 3/4" | 9 |
| 78 | 6295638 | Switch Cover | | 1 |
| 79 | 6295639 | Switch, On/Off | | 1 |
| 80 | 6295640 | Switch Faceplate | | 1 |
| 81 | 6295641 | Tap Screw | | 2 |
| 82 | 6295642 | Set Screw | 1/4"-20 x 1" | 1 |
| 83 | 6295643 | Power Cord | | 1 |
| 84 | 6295644 | Motor Wire | | 1 |
| 85 | 6295645 | Switch Wire (3 Phase only) | | 1 |
| 86 | 6295646 | Dust Chute | | 1 |
| 87 | 6295647 | Cap Screw | 1/4"-20 x 1/4" | 2 |
| | 6295663 | Miter Gauge Assembly (includes index # 88 through 98) | | 1 |
| 88 | 6295648 | Guide Bar | | 1 |
| 89 | 6295649 | Guide Disc | | 1 |
| 90 | 6295650 | Phillip Head Screw | 1/4"-20 x 1/4" | 1 |
| 91 | 6295651 | Pointer | | 1 |
| 92 | 6295652 | Set Screw | 1/4"-20 x 1/4" | 1 |
| 93 | 6295653 | Stop | | 1 |
| 94 | 6295654 | Roll Pin | 3 x 6mm | 1 |
| 95 | 6295655 | Miter Gauge Body | | 1 |
| 96 | 6295656 | Knob | | 1 |
| 97 | 6295657 | Round Head Screw | M4 x 0.7 x 20 | 3 |
| 98 | 6295658 | Hex Nut | M4 | 3 |
| 99 | 6295659 | Hex Nut | 5/16" | 2 |
| 100 | 6295660 | Sponge | | 1 |

Exploded View: DS20 Disc Sander



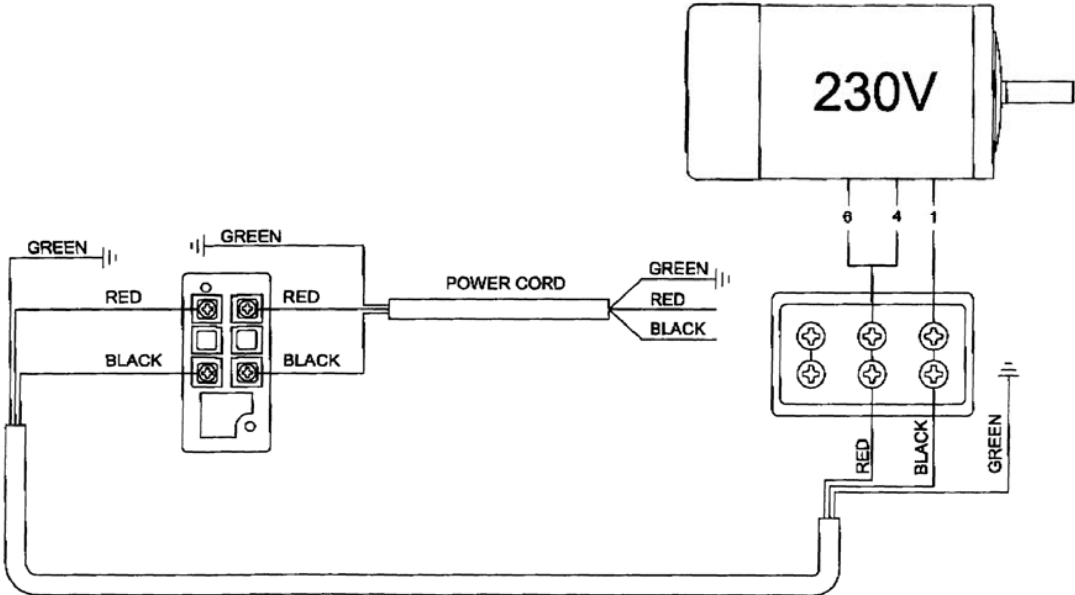
Parts List: Brake Assembly

| Index No. | Part No. | Description | Size | Qty |
|-----------|-----------------|--|--------------|-----|
| | DS20-200..... | Brake Assembly (includes index #1 through 12)..... | | |
| 1..... | DS20-201..... | Brake Pad..... | | 1 |
| 2..... | TS-2311081..... | Hex Nut..... | M8..... | 1 |
| 3..... | DS20-203..... | Push Body..... | | 1 |
| 4..... | TS-2361061..... | Lock Washer..... | M6..... | 4 |
| 5..... | TS-1503041..... | Socket Head Cap Screw..... | M6 x 16..... | 4 |
| 6..... | DS20-206..... | Bracket..... | | 1 |
| 7..... | TS-1540031..... | Hex Nut..... | M5..... | 1 |
| 8..... | TS-2205301..... | Hex Cap Screw..... | M5 x 30..... | 1 |
| 9..... | DS20-209..... | Spring..... | | 1 |
| 10..... | TS-1550061..... | Flat Washer..... | M8..... | 2 |
| 11..... | TS-2361081..... | Lock Washer..... | M8..... | 2 |
| 12..... | TS-1504051..... | Socket Head Cap Screw..... | M8 x 25..... | 2 |



Electrical Connections

230V, Single Phase



230/460V, 3 Phase

