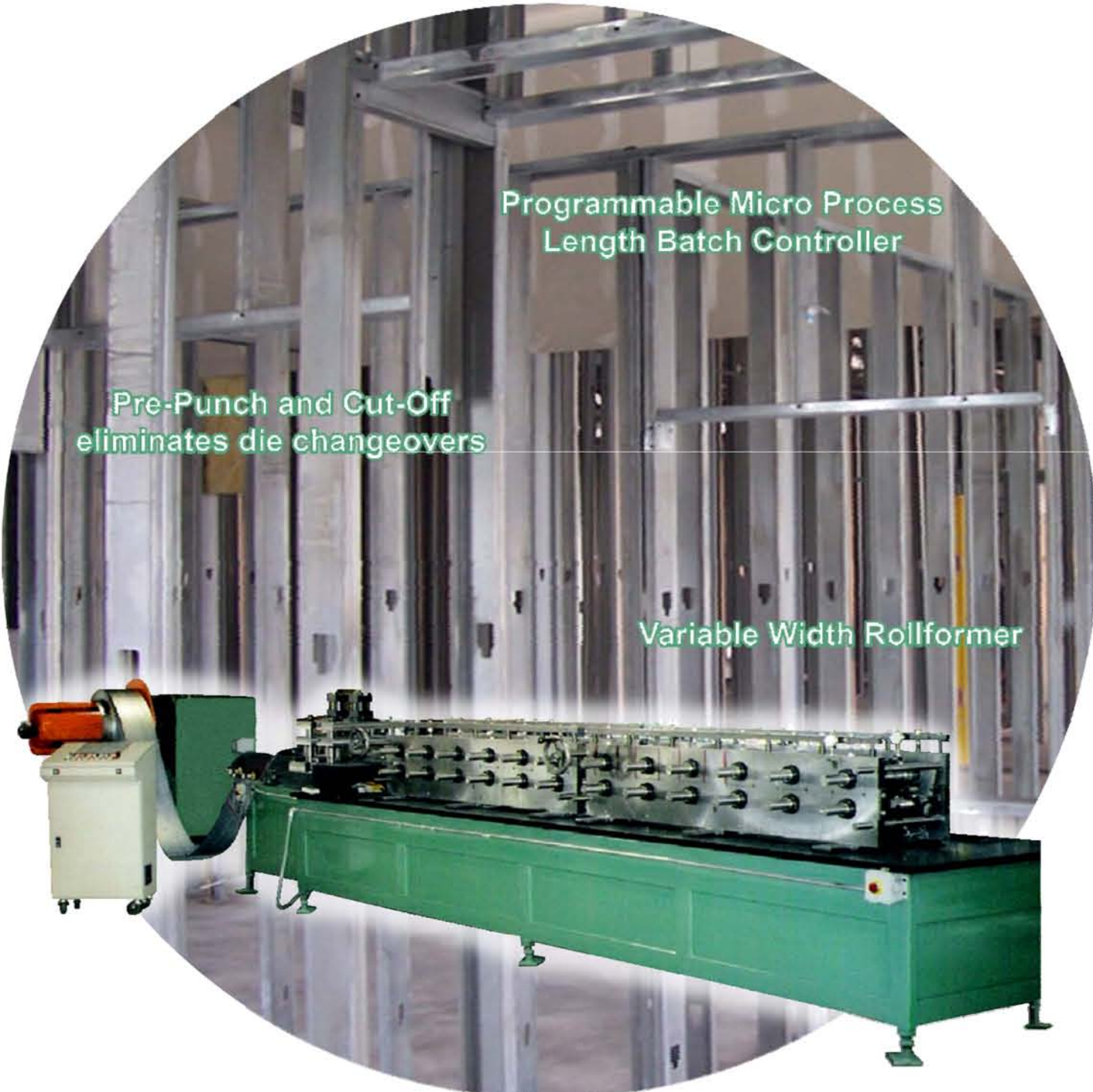


# H.D. STUD LINE

(STUD, TRACK AND JOIST SYSTEM)



Programmable Micro Process Length Batch Controller

Pre-Punch and Cut-Off eliminates die changeovers

Variable Width Rollformer

# H.D. STUD LINE

(STUD, TRACK and JOIST SYSTEM)

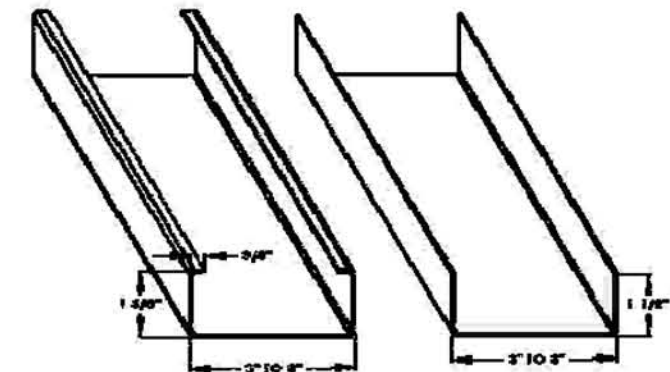
The H.D. Stud Line is our Heavy-Duty Industrial Stud and Track System that can be customized to meet a wide variety of Production Applications. The System features our Programmable Coil Feed Pre-Punch and Cut-Off with a direct feed into our unique Variable Head Rollformer.

All Systems are designed with heavy-duty hydraulic Punch and Cut-Off Presses using a programmable controller to produce a wide variety of length and punch variables.

The Variable Head Rollformer positions the roll tooling with a simple handwheel leadscrew. This provides a quick-change setting and an infinite range to change Stud and Track widths.

All Rollformers have precision-machined bearing housings and ground spindles using quality heavy-duty Timken roller bearings. Rolls and Dies are manufactured from quality high carbon / high chrome tool steel and heat-treated for years of dependable maintenance free service.

STUD TO TRACK IN LESS THAN A MINUTE



COMPLETELY PROGRAMMABLE MONITORS AND PRODUCES TIME AND MATERIAL REPORTS

ONE PIECE UNITIZED CONSTRUCTION

ELIMINATES DIE CHANGES & SET-UPS

REAL JUST-IN-TIME PRODUCTION

ARCHITECTURAL SOFTWARE COMPATIBLE

MORE PRODUCTION WITH LESS DOWNTIME SET-UP AND SCRAP LOSS

ACCEPTS A VARIETY OF PRINTING AND LABELING OPTIONS

The H.D. Stud Line was developed by Custom Rollform Products as an Economical System to manufacture Stud and Track on a just-in-time basis. It offers the latest concepts in quick-change set-ups that allow you to convert from Stud to Track in less than a minute. This allows manufacturers of Pre-fabricated Housings and Major Contractors to produce cut-to-length sections On-time and as needed without hours of Set-ups, Coil Changes and Excessive Scrap Loss



## Material Specifications

Material:	Galvanized Mild Steel
Gauge:	16 Ga. (.062) to 20 Ga. (.035)
Stud Lengths:	18" and longer
Stud Flange:	1 5/8" with 3/8" return flange
Track Flange:	1 1/2"
Approximate Strip Width:	7" to 12"
Length Accuracy:	±.06

## Standard Features

- Quick change Stud to Track < 1 minute
- Infinite width variables (no fixed spacer set-up)
- Pre-Punch and Cut-Off (no die change)
- All Gear Drive
- Variable Speed up to 120' FPM
- Heavy-Duty Spindles and Timken Roller Bearings
- Full Hard Roll Tooling 60<sup>Rc</sup>
- Hydraulic Punch and Cut-Off Press (A-2 tool steel)
- Rugged Tube Frame Construction
- User Friendly Controls
- Heavy-Duty Commercial Design for maximum wear life

## Available Options

- ✓ Up to 2 1/4" Stud Flange
- ✓ Widths up to 16" up to 12 gauge
- ✓ Ink Jet Printer or Bar Code Labeler
- ✓ Office PC Integration (Eclipse)
- ✓ Upgrade Decoiler or Uncoiler
- ✓ Integrated Design and Engineering Software
- ✓ Special Stacking or Packaging

## Programmable Micro Process Controller

- Simple Keyboard Entry
- 1000 Batch Memory
- Monitors material usage and scrap loss
- Tracks downtime and production
- Multiple Printer Options
- Accepts Eclipse Software

## Variable Width Rollform

The main feature that really makes this system great is our Variable Head Rollformer that positions the roll tooling with simple leadscrew handwheel in less than a minute. We've designed a feature that eliminates a coil changeover between Stud and Track which is a real time saver. This allows you to run and/or bundle everything (Stud and Track) as needed for a wall or section on a just-in-time basis.

Other options include variable flange heights up to 2 1/4" and stud width variables up to 16" wide.



Programmable Micro Process Length Batch Controller

The H.D. Stud System features our Programmable Micro Process Length Batch Controller to Sequence the Hole Punch and Cut-Off Press/Die. Feed Length and hole patterns can directly be keyboard entered and stored in memory. System adapts to add label printing or ink jet application.

With optional software Keymark's Key Build or Argos Systems can be added to develop and download production parts directly from architectural plans. The system can also schedule, and monitor daily production, downtime and material reports directly from an office computer.

## Pre-Punch and Cut-Off Eliminates Die Changeovers

The Direct Feed Programmable Pre-Punch and Cut-Off feature eliminates die changeovers and produces a cleaner end condition on the studs. The Pre-Cut System also Eliminates all the Downtime and Scrap Loss when changing from Stud to Track. Multiple Punch Press/Dies can be added to increase line speed and production out-put.



Our Variable Width Rollform design positions the roll tooling with a simple leadscrew handwheel. The variable tooling design allows the operator to make width changeovers in less than one (1) minute.

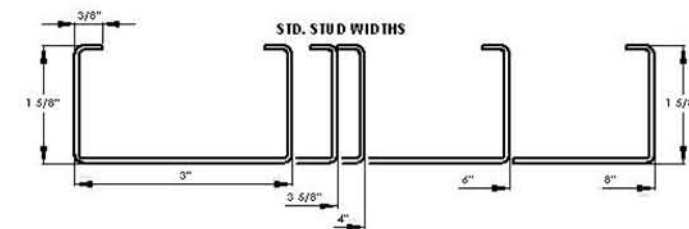
## The H.D. Stud Line

The main objective to manufacturing your own Stud and Track is to Eliminate Manufacturing Costs, Inventories and Scrap Loss and to produce studs to size on a Just-in-time basis.

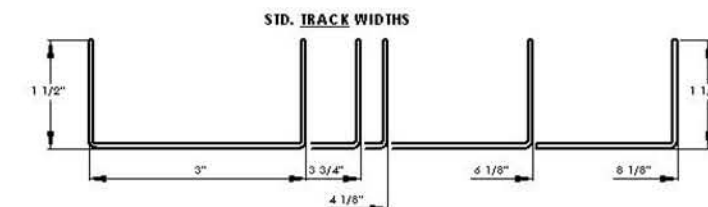
The H.D. Stud Line was designed to Eliminate all the Extensive Set-ups and Changeovers and to Maximize your overall Stud and Track Production. Eliminating the coil changeover from Stud to Track is a real time saver and allows you to run and/or bundle everything needed for a wall or section on a just-in-time basis.

The H.D. Stud uses a Programmable Pre-Punch, Pre-Cut System along with a Variable Head Rollformer. The Programmable Pre-Cut System produces a better cut-off end condition and eliminates die changes and Stud to Track changeovers. The Variable Head Rollformer is designed to position and vary the rolls using a simple leadscrew setting in less than a minute. This gives you an infinite variation from the widest to narrowest Stud and Track size range, eliminating a time consuming spacer set-up and limited size selection. Tracks can be sized to fit the Stud throughout the full range for a snug tight fit.

All our Stud Lines feature quality Punch and Cut-Off Dies, All Gear Drives, Heavy-Duty Spindles and Bearing and Full Hardened Rolls to assure years of maintenance free service.



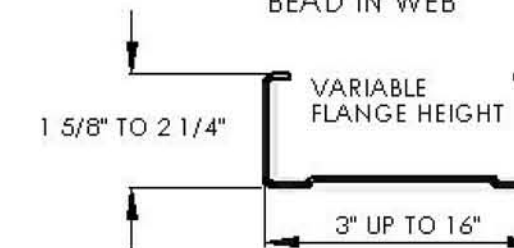
INFINITELY VARIABLE WITH NO FIXED SPACER CHANGE-OVER (FULL RANGE ADJUSTMENT LESS THAN A MINUTE)



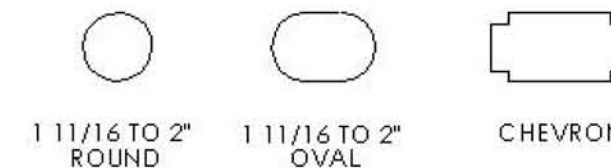
CHANGES FROM FLANGED STUD TO TRACK IN SECONDS.

STUD & TRACK CAN BE MFG. FROM SAME STRIP WIDTH ELIMINATING COIL CHANGE-OVERS

## OPTIONS STUD W/STIFFENER BEAD IN WEB



## PUNCH STYLES



3991 Green Park Rd.  
St. Louis, MO 63125

Phone: 314-894-3903  
Fax: 314-631-3003  
www.customrollformproducts.com

*“Quality Designs Means Production You Can Afford”*

*“Quality Designs Means Production You Can Afford”*